

ST 060 113 5892



- slide-on rosettes Ø 70 mm
- gauge 150 mm - 13 mm
- 3/8" shower outlet
- with volume control

	Chrome	ST 060 113 5892-00
	Brushed Platinum	ST 060 113 5892-06
	Platinum	ST 060 113 5892-08
	Dark Chrome	ST 060 113 5892-19
	Brushed Durabronz (23kt Gold)	ST 060 113 5892-28
	Matte Black	ST 060 113 5892-33
	Brushed Champagne (22kt Gold)	ST 060 113 5892-46
	Champagne (22kt Gold)	ST 060 113 5892-47
	Brushed Chrome	ST 060 113 5892-93
	Brushed Dark Platinum	ST 060 113 5892-99

Individual components of this set

You need the following components for this set

1x 11 431 892-00



1x 34 443 979-00



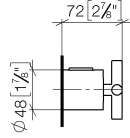
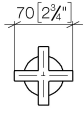
ST 060 113 5892



	Chrome	11 431 892-00
	Brushed Platinum	11 431 892-06
	Platinum	11 431 892-08
	Dark Chrome	11 431 892-19
	Brushed Durabross (23kt Gold)	11 431 892-28
	Matte Black	11 431 892-33
	Brushed Champagne (22kt Gold)	11 431 892-46
	Champagne (22kt Gold)	11 431 892-47
	Brushed Chrome	11 431 892-93
	Brushed Dark Platinum	11 431 892-99

ST 060 113 5892

mm [inches]



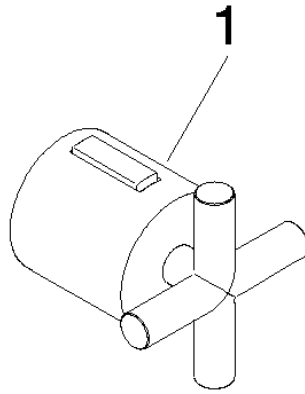


TARA Shower thermostat - Chrome

TARA

ST 060 113 5892


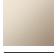

ST 060 113 5892



- slide-on rosettes Ø 70 mm
- gauge 150 mm - 13 mm
- 3/8" shower outlet
- with volume control

Intrinsic protection against back flow.

Intrinsic protection against back flow.

	Chrome	34 443 979-00
	Brushed Platinum	34 443 979-06
	Platinum	34 443 979-08
	Dark Chrome	34 443 979-19
	Brushed Durabronz (23kt Gold)	34 443 979-28
	Matte Black	34 443 979-33
	Brushed Champagne (22kt Gold)	34 443 979-46
	Champagne (22kt Gold)	34 443 979-47
	Brushed Chrome	34 443 979-93
	Brushed Dark Platinum	34 443 979-99



TARA Shower thermostat - Chrome

TARA

ST 060 113 5892

ST 060 113 5892

Required miscellaneous

TARA Regulator handle - Chrome 11 431 892-00





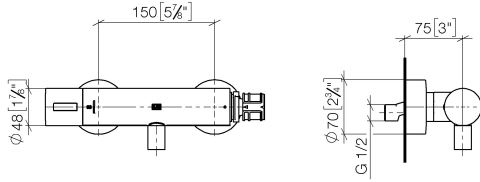
TARA Shower thermostat - Chrome

TARA

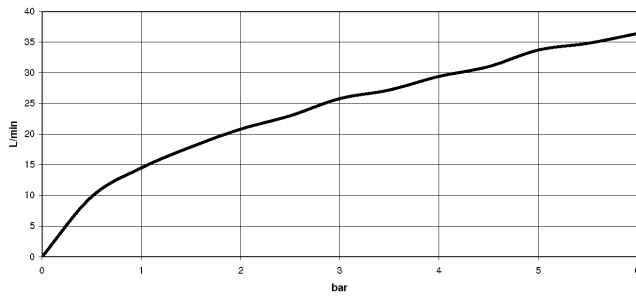
ST 060 113 5892

ST 060 113 5892

mm [inches]



Flow rate chart

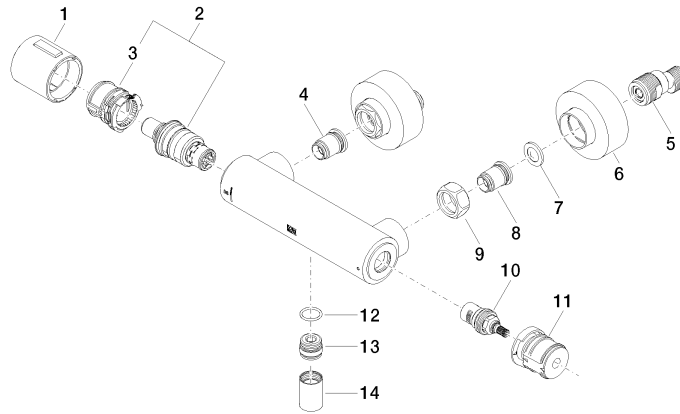


Certificates

Belgaqua_22_281_2 LGA_29986.
7_5.

WRAS_2204005.

ST 060 113 5892



Spare parts list

No.	Item Number	Name	Quantity used	Delivery time
1	90 17 33 015 00-00	handle	1	10
2	90 15 02 070 00 90	cartridge	1	2
3	90 30 40 010 00 90	regulator	1	2
4	04 31 20 530 00 90	insert	1	2
5	04 11 04 030 00 90	connection	2	2
6	90 31 20 512 00-00	rosette	2	2
7	09 29 30 050 90	sieve	2	2
8	04 31 20 540 00 90	insert	1	2
9	09 24 77 008-00	nut	2	10
10	90 90 03 236 00 90	top	1	2
11	90 30 40 017 00 90	base	1	2
12	90 14 10 010 00 90	seal	1	2
13	09 31 20 511-00	nipple	1	10
14	90 21 02 069 00-00	cover	1	10